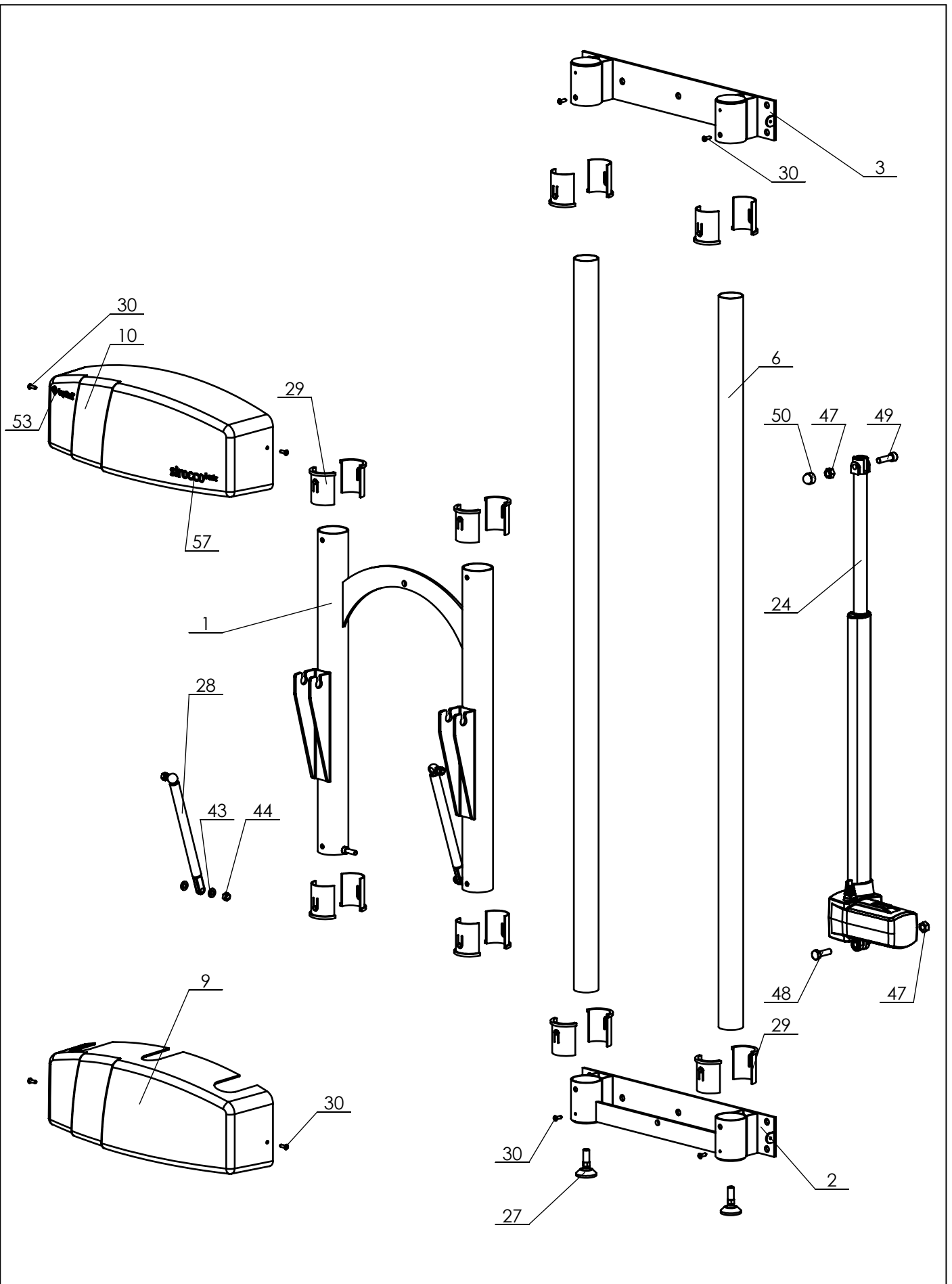


P:\SW-Tek\Sirocco 2500\

Drawn by: KA	Date: 02-09-2022
Revised: 1 /KA	Date: 27-09-2023
Revised: - /	Date: -

# Overview parts

Copyright reserved by law	Unit of measurement: mm	Lopital Nederland bv	Type nr: 61002500
---------------------------	-------------------------	----------------------	-------------------



P:\SW-Tek\Siracco 2500\

Drawn by: KA	Date: 02-09-2022
Revised: 1 /KA	Date: 27-09-2023
Revised: - /	Date: -
Copyright reserved by law	Unit of measurement: mm

# Overview parts

Lopital Nederland bv

Type no: 61002500

## Sirocco basic 61002500

Part no.	Art.no.	QTY.	Name	Material	Drawing nr.
1	70250001	1	Movable frame	Steel	70250001.00.03
2	70250002	1	Floor frame	Steel + Stainless steel	70250002.00.03
3	70250003	1	Wall frame	Steel + Stainless steel	70250003.00.02
4	70250004	2	Suspension frame	Steel + Stainless steel	70250004.00.02
5	70250006	1	Upper frame	Steel + Stainless steel	70250006.00.02
6	70250007	2	Tube	Stainless steel	70250007.00.01
7	70560040	4	Bush	Brass	70250008.00.00
8	70250009	2	Bush	Stainless steel	70250009.00.00
9	70250016	1	Cover bottom	ABS	70250016.00.00
10	70250015	1	Cover top	ABS	70250015.00.00
11	70200032	1	Frame Headend	Aluminium	2000-60
12	70200006	1	Length adjustment	Aluminium	2000-16.4
13	67902020	1	Side rail	Aluminium + PA6 GF30 + Stainless steel	2000-ZH
14	67902025	2	Push handle	PA6 GF30 + Stainless steel	2000-DB
15	70200019	1	Oval tube	Aluminium	2000-28.2
16	70200026	2	Side rail grip	PA6 GF30	2000-35.3
17	Set with no. 18	1	Reservoir coupling	PP	2000-36
18	70200015	1	Mattress drain	PP	2000-37
19	70200016	1	Clamping ring	POM	2000-38.1
20	70200030	1	Cover cap set	ABS	2000-46.1
21	70200030	1	Cover	ABS	2000-47.2
22	70200030	1	Cover	ABS	2000-48.2
23		1	Mattress	PVC	2000-Matras
24	70250011	1	Actuator TA37 H/L	-	TA37-Slag 500
25	70250013	1	Control Box	-	3D_TC12 (2.9A)
26	70205003	1	Batterypack	-	Accu
27	70250019	2	Adjustable foot	-	Stelvoet M10
28	70250018	2	Gas spring	-	150mm 700N
29		16	Bearing shell	PA Type 6	70250010.00.00
30		12	Hex socket head screw	A2	M5x16 ISO7380
31		2	Raised countersunk screw M6x20	A2	M6x20 DIN964
32		2	Cylinder head screw M6x65	A2	M6x65 DIN912
33		2	Locknut M6	A2	M6 DIN985
34		4	Washer M6 Ø18	A2	Carrosseriering M6 DIN9021
35		4	Nut cap M6	PE (white)	Moerkap M6
36		2	Sleeve nut	A2	M6 x10 x15
37		5	Hexagonal head bolt M8x50	A2	M8x50 DIN933
38	-	2	Cylinder head screw M8x55	A2	M8x55 DIN912

Drawn by: KA	Date: 02-09-2022
Revised: 1 /KA	Date: 27-09-2023
Revised: -/	Date: -

Copyright reserved by law

Unit of measurement: mm

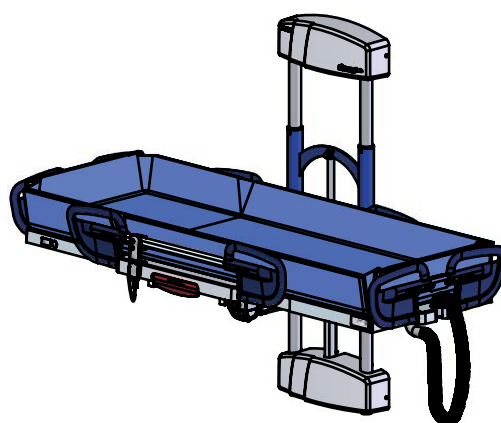
## Overview parts

Lopital Nederland bv

Type nr: 61002500

## Sirocco basic 61002500

Part no.	Art.no.	QTY.	Name	Material	Drawing nr.
39		5	Button head screw M8x60	A2	M8x60 ISO7380
40		4	Hexagon head bolt M8x80	A2	M8x80 DIN933
41		2	Cylinder low head screw M8x40	A2	M8x40 DIN7984 lage kop BZK
42		2	Washer M8	A2	M8 DIN 125
43		4	Washer M8	PA	M8 DIN 125 PA
44		4	Locknut M8	A2	M8 DIN985
45		1	Washer M8 Ø25	A2	Carrosseriering M8
46		9	Locknut M8	A2	M8 Flensmoer
47		2	Locknut M10	A2	M10 DIN985
48		1	Hexagon head bolt M10x35	A2	M10x35 DIN931
49	-	1	Cylinder head screw M10x35	A2	M10x35 DIN912
50		1	Nutcap M10	PE	Moerkap M10
51	70250012	6	Connecting nut M10x20	A2	Verbindingsmoer M10x20 rond
52	70200038	4	Connecting nut M10x40	A2	Verbindingsmoer M10x40 rond
53		1	Sticker Lopital	PP Film	Sticker - Lopital + Logo 12 mm
54		1	Safetysign sticker		Safetysign M200 - vlak
55		1	QR info sticker		Sticker-QR Informatie - vlak Horizontaal
56		1	Serial number sticker		Sticker-Serienummer - vlak
57		1	Sticker Sirocco	PP Film	Sticker - Sirocco basic
58	67902000	1	Hose (complete)	PVC	Afvoerslang 90 graden
59	70205004	1	Handset	-	3D_TMh3



Drawn by: KA	Date: 02-09-2022
Revised: 1 /KA	Date: 27-09-2023
Revised: - /	Date: -

## Overview parts

Copyright reserved  
by law

Unit of measure-  
ment: mm

Lopital Nederland bv

Type no: 61002500