

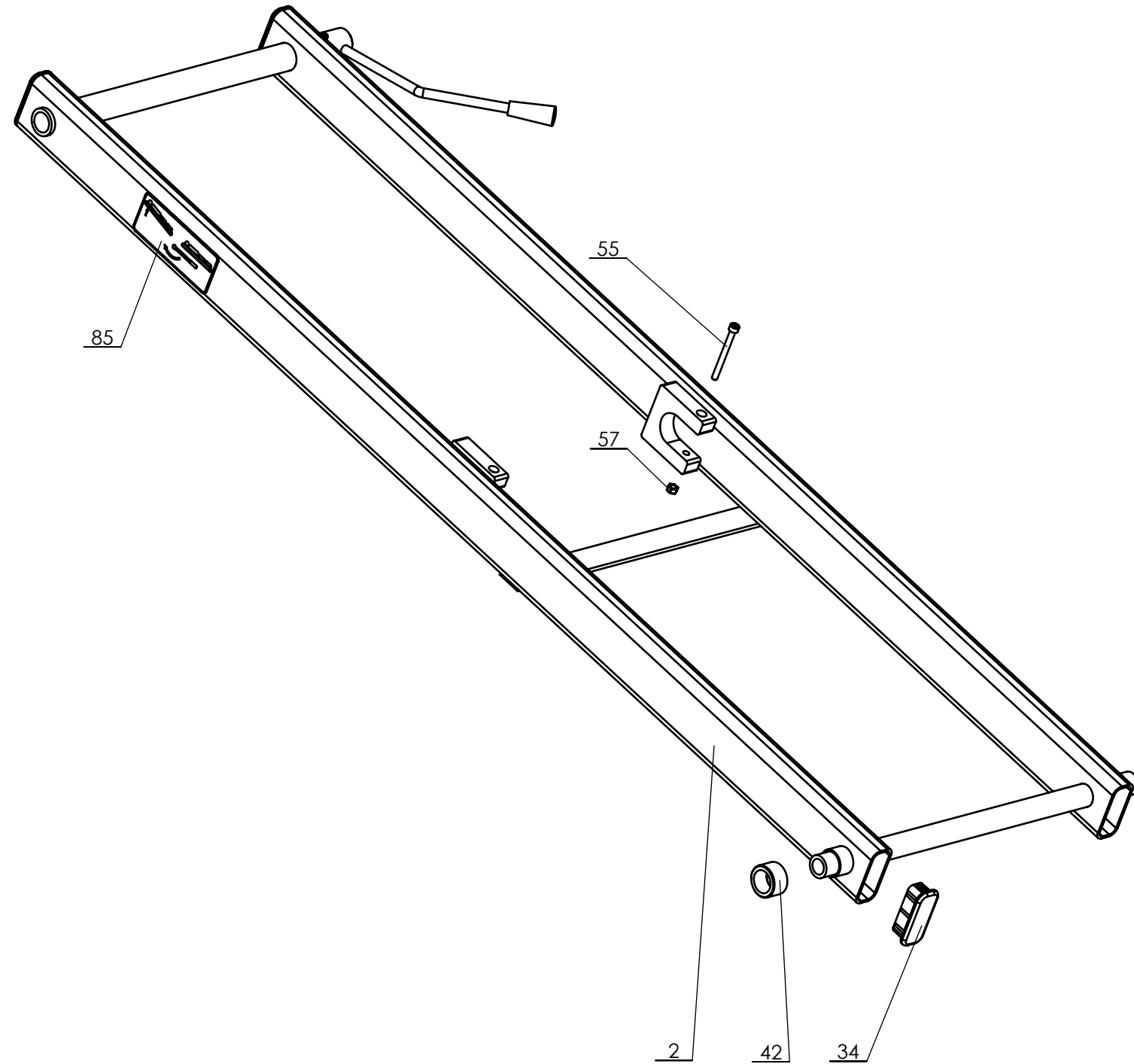
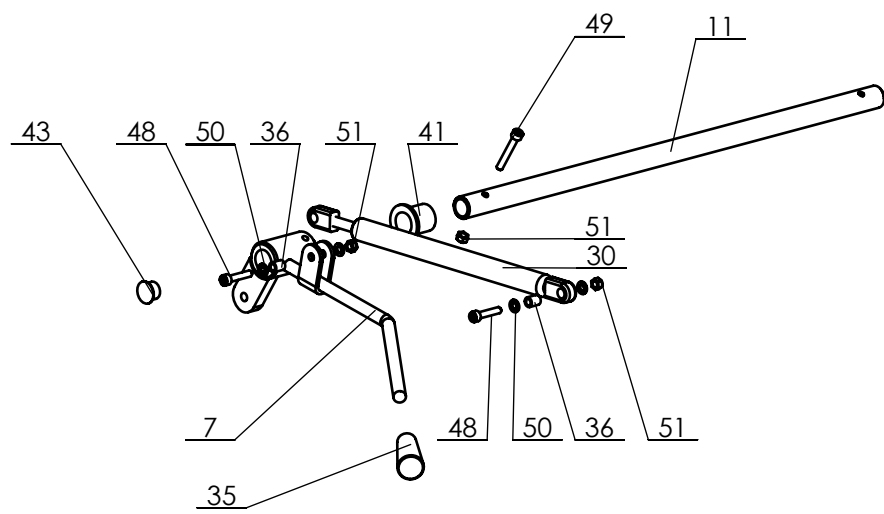
Productontwikkeling\SW-Tek\Marina 2000-2030\

| | |
|---------------------------|-------------------------|
| Drawn by: RH | Date: 11-03-2020 |
| Revised: 5 /KA | Date: 13-03-2023 |
| Revised: 6 /KA | Date: 25-09-2023 |
| Copyright reserved by law | Unit of measurement: mm |

Chassis

Lopital Nederland bv

Type nr: 2060-EV.6

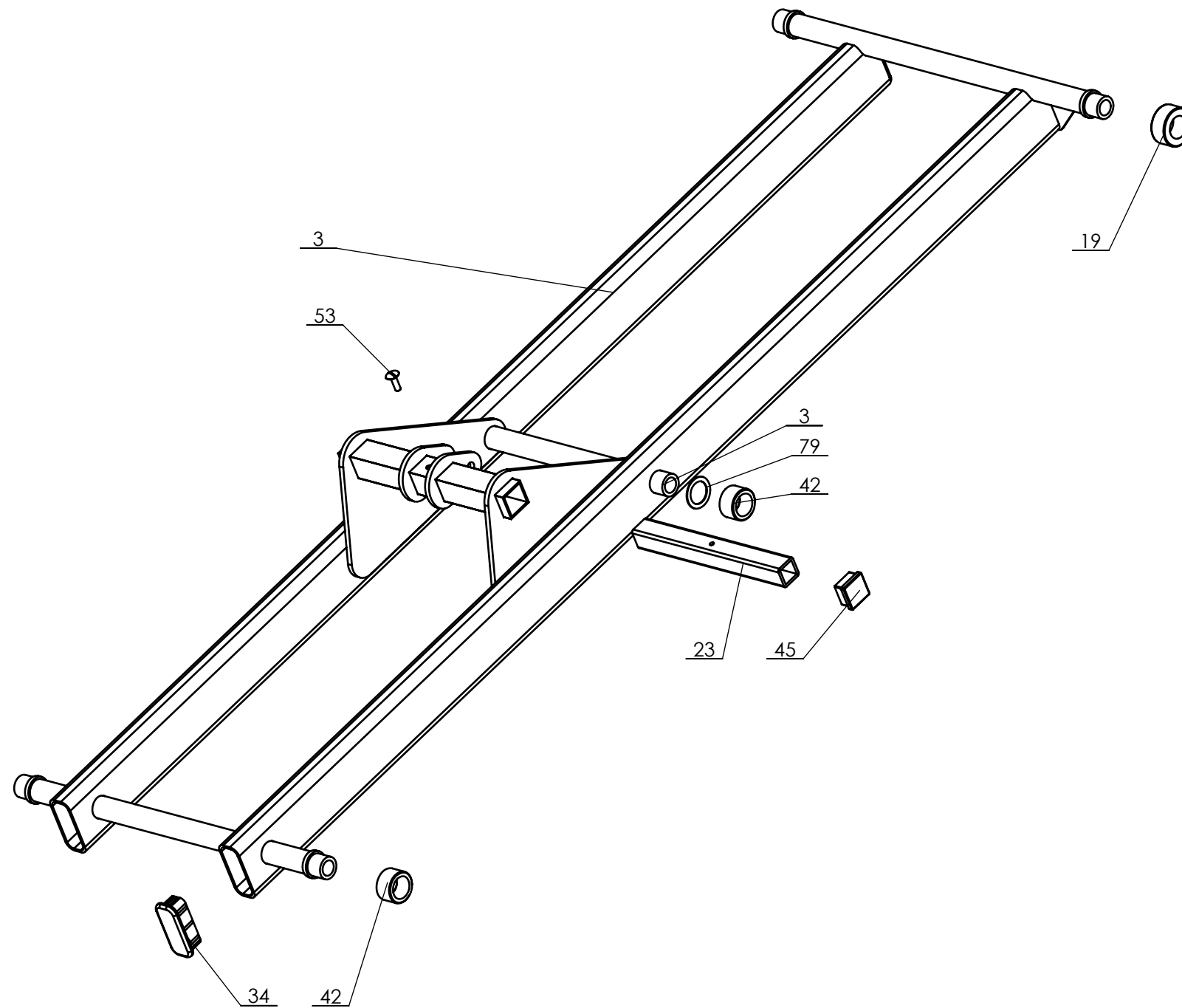


Productontwikkeling\SW-Tek\Marina 2000-2030\

| | |
|---------------------------|-------------------------|
| Drawn by: RH | Date: 11-03-2020 |
| Revised: 5 /KA | Date: 13-03-2023 |
| Revised: 6 /KA | Date: 25-09-2023 |
| Copyright reserved by law | Unit of measurement: mm |

Subframe outside

Lopital Nederland bv Type nr: 2060-EV.6

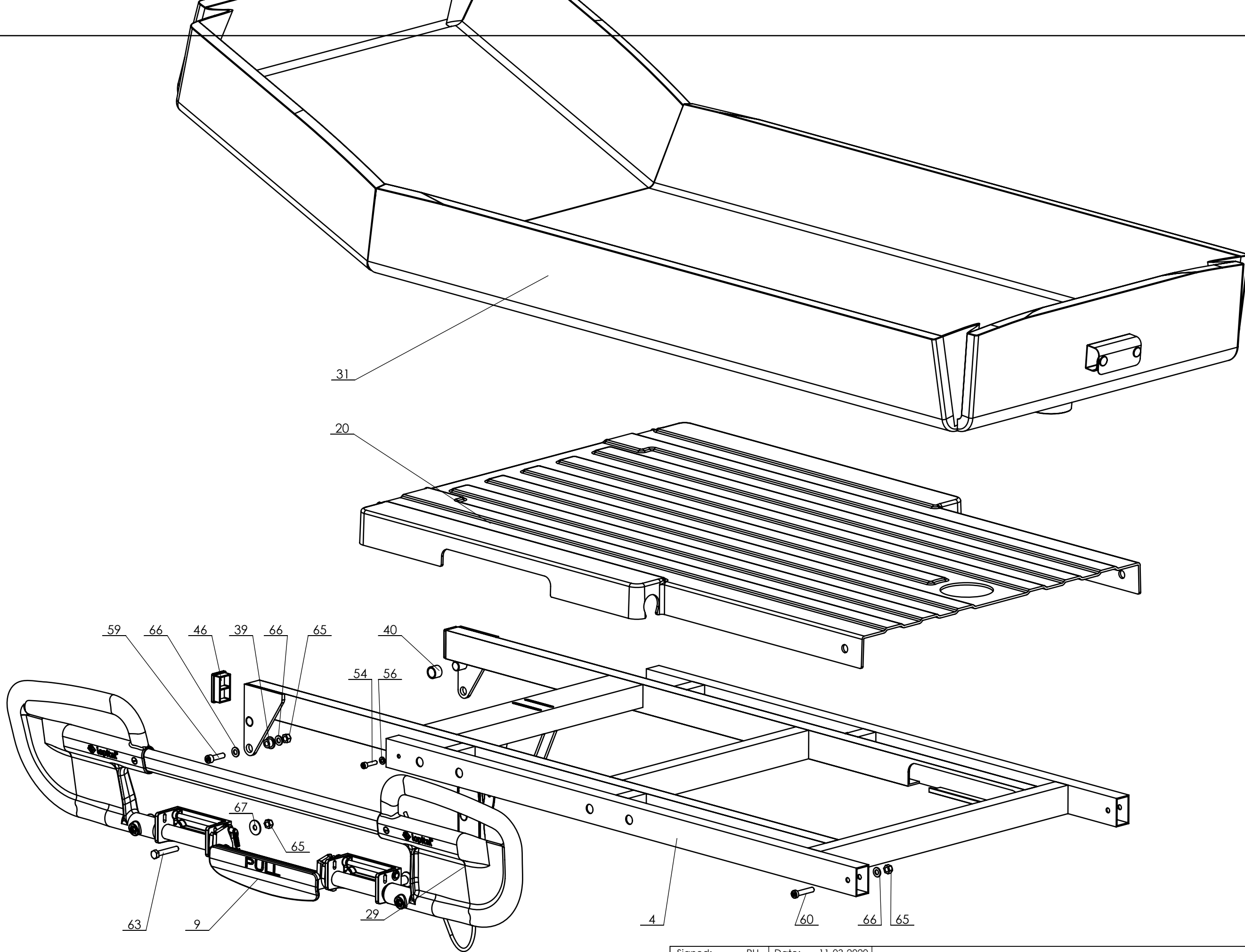


Productontwikkeling\SW-Tek\Marina 2000-2030\

| | |
|---------------------------|-------------------------|
| Drawn by: RH | Date: 11-03-2020 |
| Revised: 5 /KA | Date: 13-03-2023 |
| Revised: 6 /KA | Date: 25-09-2023 |
| Copyright reserved by law | Unit of measurement: mm |

Subframe inside

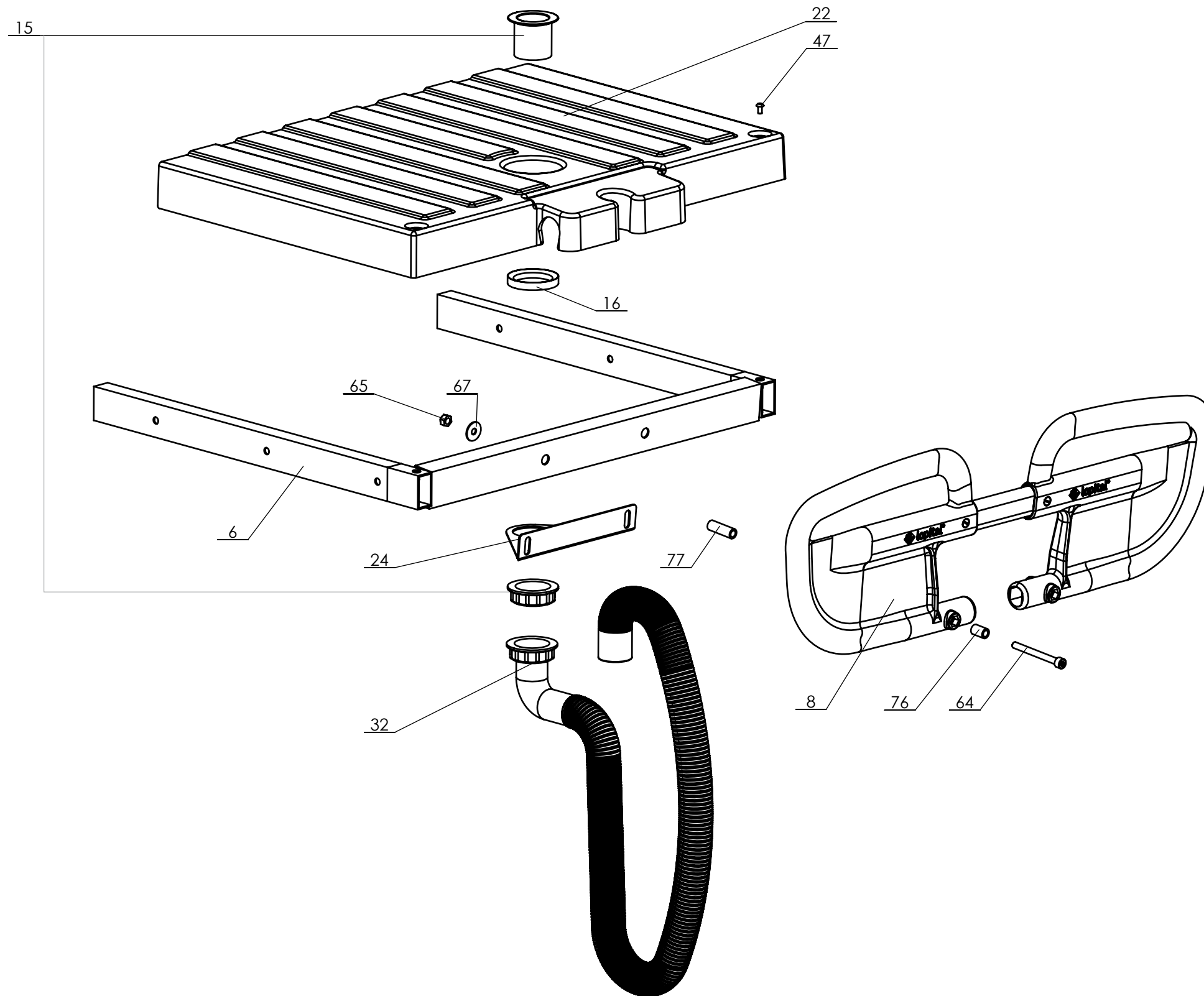
Lopital Nederland bv Type nr: 2060-EV.6



| | | | |
|---------------------------|-------|----------------------|------------|
| Signed: | RH | Date: | 11-03-2020 |
| Revised: | 5 /KA | Date: | 13-03-2023 |
| Revised: | 6 /KA | Date: | 25-09-2023 |
| Copyright reserved by law | | Unit of measurement: | mm |

Top frame middle

Lopital Nederland bv Type nr: 2060-EV.6

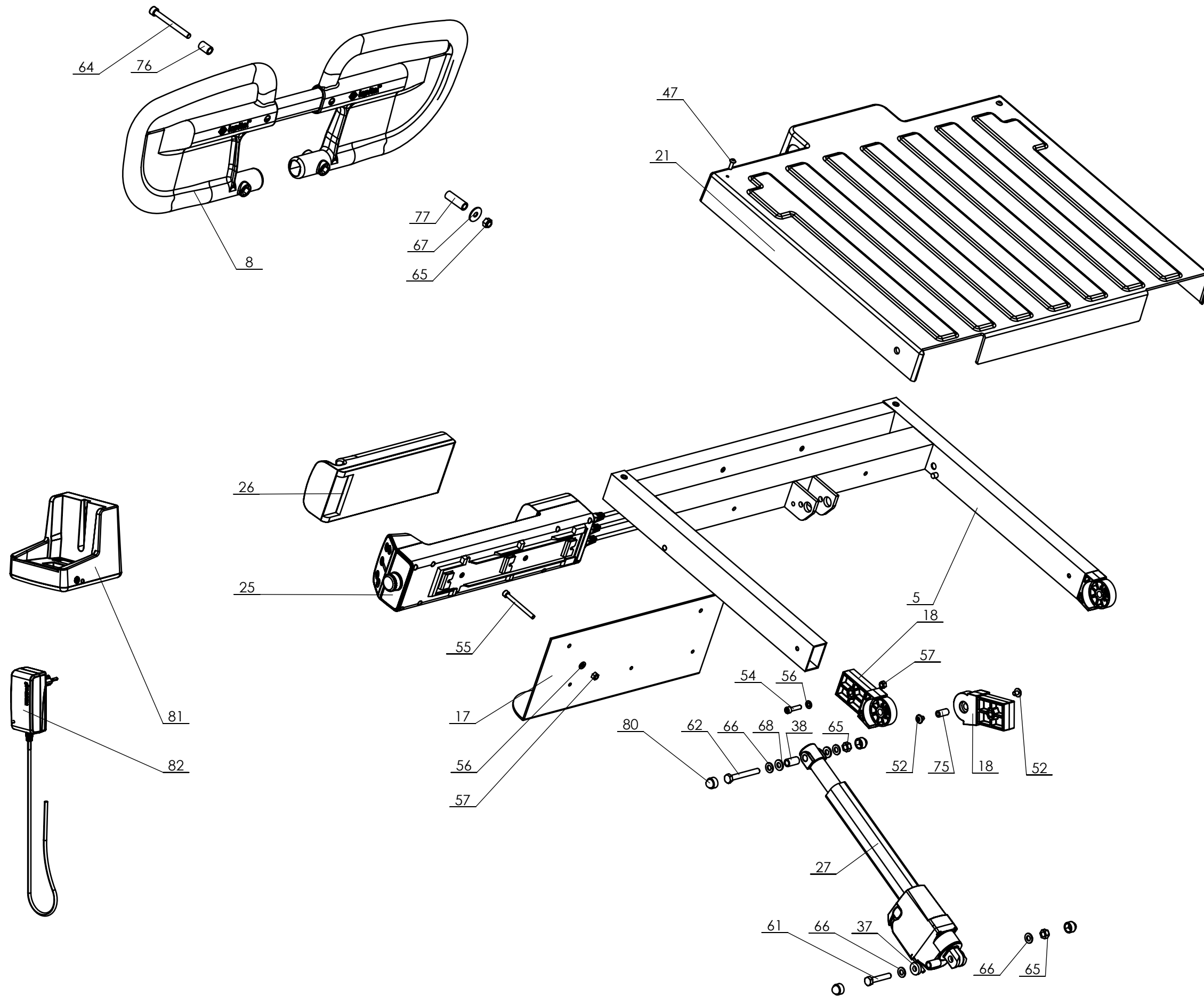


| | |
|---------------------------|-------------------------|
| Drawn by: RH | Date: 11-03-2020 |
| Revised: 5 /KA | Date: 13-03-2023 |
| Revised: 6 /KA | Date: 25-09-2023 |
| Copyright reserved by law | Unit of measurement: mm |

Length adjustment

Lopital Nederland bv

Type nr: 2060-EV.6



| | |
|---------------------------|-------------------------|
| Drawn by: RH | Date: 11-03-2020 |
| Revised: 5 /KA | Date: 13-03-2023 |
| Revised: 6 /KA | Date: 25-09-2023 |
| Copyright reserved by law | Unit of measurement: mm |

Head end

Lopital Nederland bv

Type nr: 2060-EV.6

Marina deluxe electric 21002060

| Part no. | Art.no. | QTY. | Name | Material | Drawing nr. |
|----------|----------------|------|--------------------------------|-----------|-----------------------|
| 1 | 70200001 | 1 | Chassis | Alu gec. | 2000-11.5 |
| 2 | 70200002 | 1 | Subframe outhter | Alu gec. | 2000-12.4 |
| 3 | 70200003 | 1 | Subframe inner | Alu gec. | 2000-13.6 |
| 4 | 70200004 | 1 | Topframe | Alu gec. | 2000-14.4 |
| 5 | 70200005 | 1 | Backrest | Alu. gec. | 2000-15.3 |
| 6 | 70200006 | 1 | Length adjustment | Alu gec. | 2000-16.3 |
| 7 | Set with no. 4 | 1 | Tilt lever Set | St. gec. | 2000-19.2 |
| 8 | 67902025 | 2 | Push handle | | 2000-DB |
| 9 | 67902020 | 2 | Side rail | | 2000-ZH |
| 10 | 70550009 | 1 | Hinge bush | Messing | 5500-14 |
| 11 | Set with no. 4 | 1 | Tube trendelenburg | RVS | 2000-33.1 |
| 12 | 70200011 | 2 | Hexagonal shaft brake | RVS 304 | 2000-30.1 |
| 13 | 70200025 | 4 | Tube cap chassis | PE | 2000-31.1 |
| 14 | 70201003 | 4 | Brake pedal | BKV130 | 2000-32 |
| 15 | 70200015 | 1 | Mattress drain | PP | 2000-37 |
| 16 | 70200016 | 1 | Clamping ring | POM | 2000-38 |
| 17 | 70205001 | 1 | Battery plate | Alu gec. | 2050-11 |
| 18 | 70200024 | 4 | Hinge | BKV130 | 2000-42 |
| 19 | 70200012 | 2 | Sliding Bearing | POM | 2000-43 |
| 20 | 70200030 | 1 | Cover cap set | ABS. | 2000-46.1 |
| 21 | 70200030 | 1 | Cover cap set | ABS. | 2000-47.1 |
| 22 | 70200030 | 1 | Cover cap set | ABS. | 2000-48 |
| 23 | 70200017 | 1 | Square tube | RVS | 2000-49.1 |
| 24 | 70200055 | 1 | Plate hose | RVS | 2000-56 |
| 25 | 70205002 | 1 | Control Box | Timotion | 3D_TC12 (2.9A) |
| 26 | 70205003 | 1 | Batterypack | Timotion | Accu |
| 27 | 70205005 | 1 | Actuator TA29 | Timotion | TA29 |
| 28 | 70205006 | 1 | Actuator TA23 | Timotion | TA23 |
| 29 | 70205004 | 1 | Handset | Timotion | 3D_TMHS |
| 30 | 70200033 | 1 | Gas spring | St / RVS | 150mm 200N BSP |
| 31 | | 1 | Mattress | Werff | 2000-Matras |
| 32 | 67902000 | 1 | Hose (complete) | PVC | Afvoerslang 90 graden |
| 33 | 70201002 | 4 | Castor set | PA | Wiel 2200 |
| 34 | 70200040 | 6 | Tube cap 70x30 | BKV130 | 2000-53 |
| 35 | 70200035 | 2 | Cover gaspring handle | Kunststof | Knop 10mm |
| 36 | | 2 | Flanged Slide bearing 5,2x8x10 | PA | 05.2x8x10 |
| 37 | | 2 | Washer 8x20x5 | PA | 8x20x5 |
| 38 | | 2 | Filler 8,2x12x22,5 | PA | 8,2x12x22,5 |
| 39 | | 2 | Flanged slide bearing 8x14x10 | PA | 08x14x10 |
| 40 | | 2 | Slide bearing 16x20x15 | PA | 16x20x15 |
| 41 | | 2 | Flanged Slide bearing 18x22x25 | PA | 18x22x25 |
| 42 | | 6 | Slidebearing 25x35x20 | PA | 25x35x20 |

| | |
|----------------|------------------|
| Signed: RH | Date: 11-03-2020 |
| Revised: 5 /KA | Date: 13-03-2023 |
| Revised: 6 /KA | Date: 25-09-2023 |

Parts overview

| | |
|---------------------------|-------------------------|
| Copyright reserved by law | Unit of measurement: mm |
|---------------------------|-------------------------|

Lopital Nederland bv

Type nr: 2060-EV.6

Marina deluxe electric 21002060

| Part no. | Art.no. | QTY. | Name | Material | Drawing nr. |
|----------|----------|------|---|----------------|------------------------------------|
| 43 | | 2 | Tube cap Ø18 | PE grey | <i>Insteekdop rond 18 grijs</i> |
| 44 | | 2 | Tube cap Ø30 | PE (gray) | <i>Insteekdop rond 30 grijs</i> |
| 45 | | 2 | Tube cap 30x30 | PE grey | <i>Insteekdop30x30</i> |
| 46 | | 2 | Tube cap 50x30 | PE grey | <i>Insteekdop 50x30</i> |
| 47 | | 8 | Hexagon socket button head screw M5x10 | A2 | <i>M5x10 ISO7380</i> |
| 48 | | 2 | Cylinder head screw M5x25 | A2 | <i>M5x25 DIN912</i> |
| 49 | | 2 | Cylinder headscrew M5x35 | A2 | <i>M5x35 DIN912</i> |
| 50 | | 4 | Washer M5 | A2 | <i>M5 DIN 125</i> |
| 51 | | 4 | Locknut M5 | A2 | <i>M5 DIN985</i> |
| 52 | | 4 | Hexogonal socket button head screw M6x8 | A2 | <i>M6x8 ISO7380</i> |
| 53 | | 1 | Slotted mushroom head screw M6x20 | A2 | <i>M6x20 Laagbolkopschroef</i> |
| 54 | | 4 | Cylinder head screw M6x25 | A2 | <i>M6x25 DIN912</i> |
| 55 | | 8 | Cylinder head screw M6x65 | A2 | <i>M6x65 DIN912</i> |
| 56 | | 8 | Washer M6 | A2 | <i>M6 DIN 125</i> |
| 57 | | 12 | Locknut M6 | A2 | <i>M6 DIN985</i> |
| 58 | | 4 | C sunk head screw M8x12 | A2 | <i>M8x12 DIN7991</i> |
| 59 | | 2 | Cylinder head screw M8x30 | A4 | <i>M8x30 DIN912</i> |
| 60 | | 2 | Cylinder low head screw M8x40 | A2 | <i>M8x40 DIN7984 lage kop BZK</i> |
| 61 | | 1 | Hexagonal head screw M8x45 | A2 | <i>M8x45 DIN931</i> |
| 62 | | 1 | Hexagonal head screw M8x65 | A2 | <i>M8x65 DIN933</i> |
| 63 | | 8 | Hexagonal head screw M8x50 | A2 | <i>M8x50 DIN933</i> |
| 64 | | 4 | Cylinder head screw M8x80 | A2 | <i>M8x80 A4 DIN912</i> |
| 65 | | 18 | Locknut M8 | A2 | <i>M8 DIN985</i> |
| 66 | | 10 | Washer M8 | A2 | <i>M8 DIN 125</i> |
| 67 | | 12 | Washer M8 Ø25 | A2 | <i>Carrasseriering M8</i> |
| 68 | | 2 | Sluitring | PA | <i>M8 DIN 125 PA</i> |
| 69 | | 1 | Cylinder head screw M10x60 | St. 12.9 Dacr. | <i>M10x60 12.9 DIN912 Dacromet</i> |
| 70 | | 1 | Locknut M10 | A2 | <i>M10 DIN985</i> |
| 71 | | 2 | Washer M10 | A2 | <i>M10 DIN 125</i> |
| 72 | | 2 | Washer M12 | A2 | <i>M12 DIN 125</i> |
| 73 | | 2 | Sluitring | PA Type 6 | <i>M12 DIN125 PA</i> |
| 74 | | 1 | Lock nut M12 | A2 | <i>M12 DIN985</i> |
| 75 | 70200037 | 2 | Connecting nut M6x20 | A2 | <i>Verbindingsmoer M6x20 rond</i> |
| 76 | | 4 | Connecting nut M10x20 | A2 | <i>Verbindingsmoer M10x20 rond</i> |
| 77 | 70200038 | 4 | Connecting nut M10x40 | A2 | <i>Verbindingsmoer M10x40 rond</i> |
| 78 | | 1 | Cylinder head screw M12x140 | A2 | <i>M12x140 DIN912</i> |
| 79 | | 2 | Shimring | A2 | <i>shimring Ø25x1</i> |
| 80 | | 8 | Nutcap M8 | A2 | <i>Moerkap M8</i> |
| 81 | 70205007 | 1 | Chargestation | | <i>TBC2_charging cradle</i> |
| 82 | 70205008 | 1 | Charger | | <i>3D_TB2_EU</i> |

| | |
|-----------------------|------------------|
| Signed: RH | Date: 09-06-2020 |
| Revised: 5 /KA | Date: 13-03-2023 |
| Revised: 6 /KA | Date: 25-09-2023 |

| | |
|---------------------------|-------------------------|
| Copyright reserved by law | Unit of measurement: mm |
|---------------------------|-------------------------|

Parts overview

Lopital Nederland bv

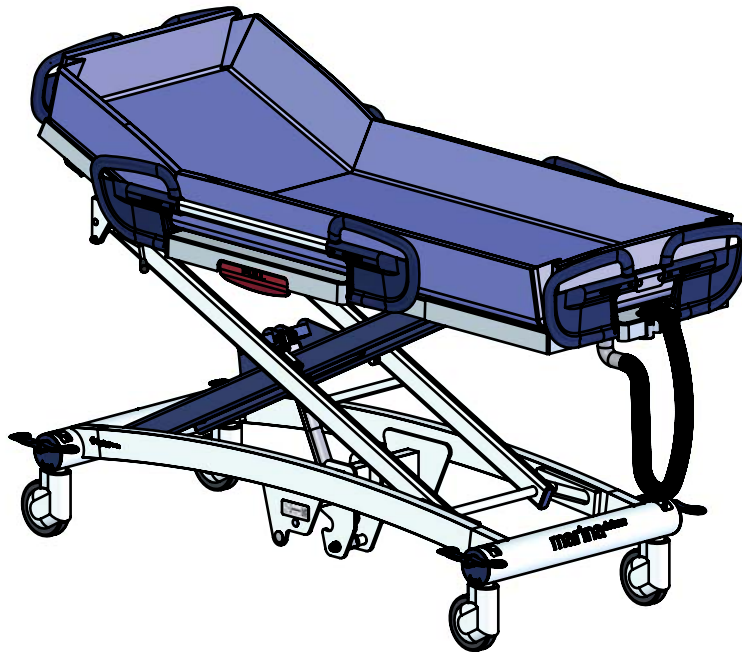
Type nr: 2060-EV.6

Marina deluxe electric 21002060

| Part no. | Art.no. | QTY. | Name | Material | Drawing nr. |
|----------|----------|------|------------------------------|----------|--------------------------------------|
| 83 | | 2 | Sticker rempedaal + richting | | <i>Sticker Rempedaal + Richting</i> |
| 84 | | 2 | Sticker rempedaal | | <i>Sticker Rempedaal</i> |
| 85 | 70200046 | 2 | Sticker Anti Trendelenburg | | <i>Sticker Anti Trendelenburg</i> |
| 86 | | 2 | Sticker Marina deluxe | PP Film | <i>Sticker - Marina deluxe -buis</i> |
| 87 | | 2 | Sticker Lopital - marina | PP Film | <i>2000-61</i> |
| 88 | | 2 | Serial number sticker | | <i>Sticker-Serienummer vlak</i> |
| 89 | | 2 | Safety Sign IFU sticker | | <i>Safety sign IFU</i> |

Matress length 186cm / 206cm / 226cm

| Part nr. | Art.nr. | QTY | Name | Material | Drawing nr. |
|----------|-----------|-----|------------------|----------|-------------|
| 1 | 6720 0010 | 1 | Matress L=186 cm | | 2000-51 |
| 2 | 6720 0020 | 1 | Matress L=206 cm | | 2000-50 |
| 3 | 6720 0030 | 1 | Matress L=226 cm | | 2000-52 |



Productontwikkeling\SW-Tek\Marina 2000-2050\

| | |
|---------------------------|-------------------------|
| Drawn by: RH | Date: 09-06-2020 |
| Revised: 5 /KA | Date: 13-03-2023 |
| Revised: 6 /KA | Date: 25-09-2023 |
| Copyright reserved by law | Unit of measurement: mm |

Parts overview

Lopital Nederland bv

Type nr: 2060-EV.6